

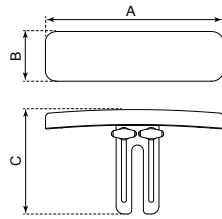
Zitzi Pengy Pro seat

Technical data

ARMREST

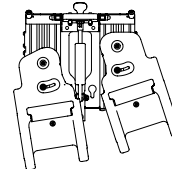
AxB
250x75

C
Size 1: 140 - 205 mm
Size 2: 170 - 260 mm



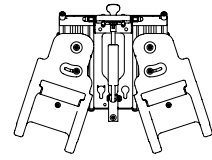
SEAT PART

Windswept



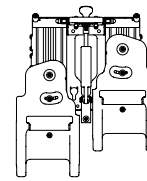
Possibility 9°

Abduction/Adduction



0° to +18° / 0° to -9°

Seat depth/Leg length

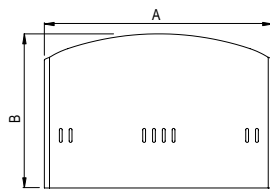


Adjustment:

Size 1: 19-28 cm
Size 2: 28-38 cm

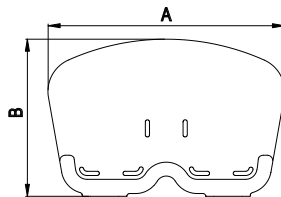
FOOTREST, Standard, adjustable

A x B
Whole size 1 315 x 195 mm
Whole size 2 315 x 220 mm



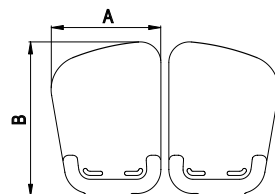
FOOTREST, Advanced

A x B
Whole size 1 315 x 195 mm
Whole size 2 345 x 225 mm
Whole size 3 380 x 260 mm



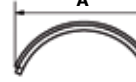
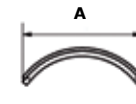
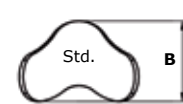
A x B
Whole adjust size 1 155 x 190 mm
Whole adjust size 2 160 x 220 mm
Whole adjust size 3 180 x 255 mm

A x B
Divided size 1 155 x 190 mm
Divided size 2 160 x 220 mm
Divided size 3 180 x 255 mm



A x B
Divided adjust size 1 155 x 190 mm
Divided adjust size 2 160 x 220 mm
Divided adjust size 3 180 x 255 mm

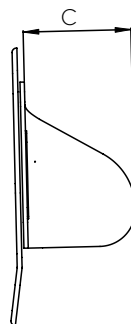
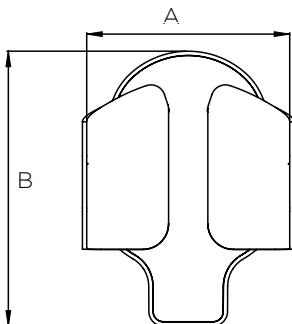
HEADREST



A x B
Headrest size 1 220 x 150 mm
Headrest size 1 long 280 x 160 mm
Headrest size 2 240 x 190 mm
Headrest size 2 long 280 x 210 mm

ADJUSTABLE BACK

All measurements are including lining



A - Width adjustment

Size 1: 160 - 250 mm
Size 2: 190 - 280 mm

B - Height adjustment

Size 1: 290* - 345 mm
Size 2: 350* - 430 mm

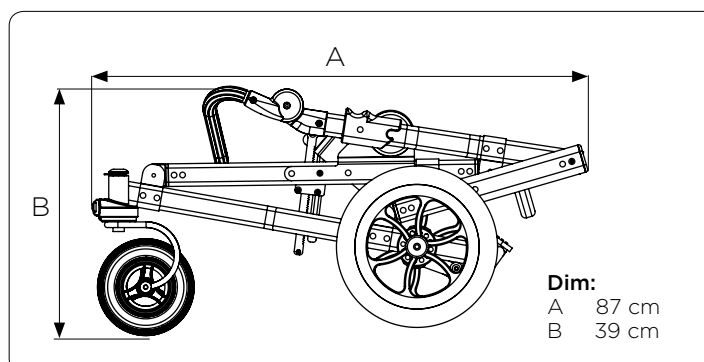
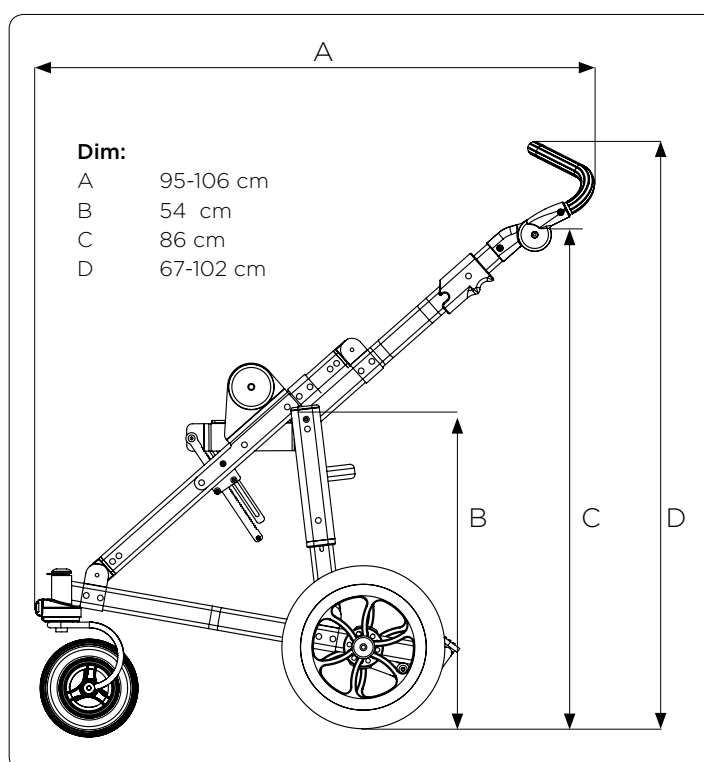
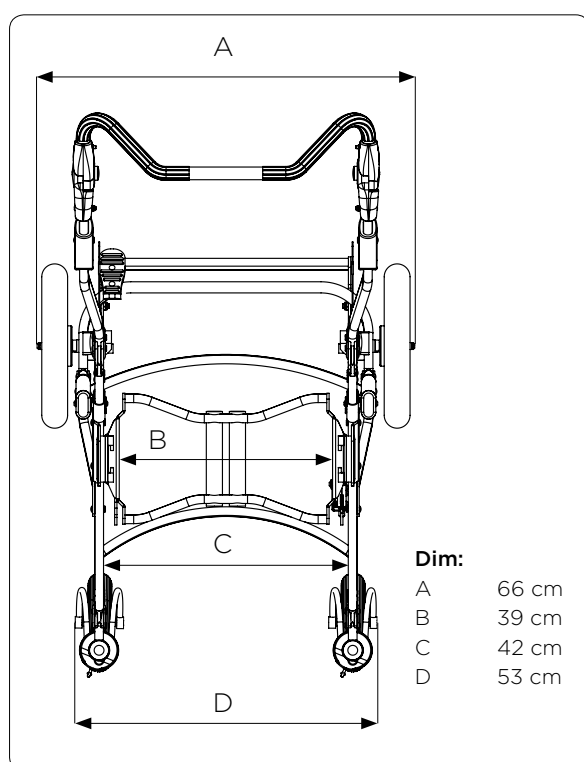
C - Depth

Size 1: 125 mm
Size 2: 150 mm

* To adjust down the last centimeter, the back plates lower part needs to be cut one centimeter for Pengy Pro.

Zitzi Pengy Pro chassis

Technical data



Recommendation list

Seat systems / Chassis

SEAT SYSTEM	CHASSIS									
	Flipper Pro			Flipper Pro Flex	Pengy	Guppy		Seabass Pro		
	size 1	size 2	size 3			size 1	size 2	size 1	size 2	size 3
Pengy Pro	X ³	X ³		X ³	X	X ³	X ³			
Delfi Pro size 0	X	X ¹		X	X	X				
Delfi Pro size 1	X	X ¹		X	X	X				
Delfi Pro size 2		X		X	X	X				
Delfi Pro size 3			X	X		X	X ²			
Delfi Pro size 4			X	X		X ²	X ²	X ²		
Sharky Pro size 1			X	X					X ²	
Sharky Pro size 2			X	X						X ²
Anatomic SITS	X	X	X	X	X	X ²	X ²	X ²	X ²	X ²

X¹ If gas operated tilt is required

X² Depending of the size of wheels you select

X³ Use adapter plate 385243